

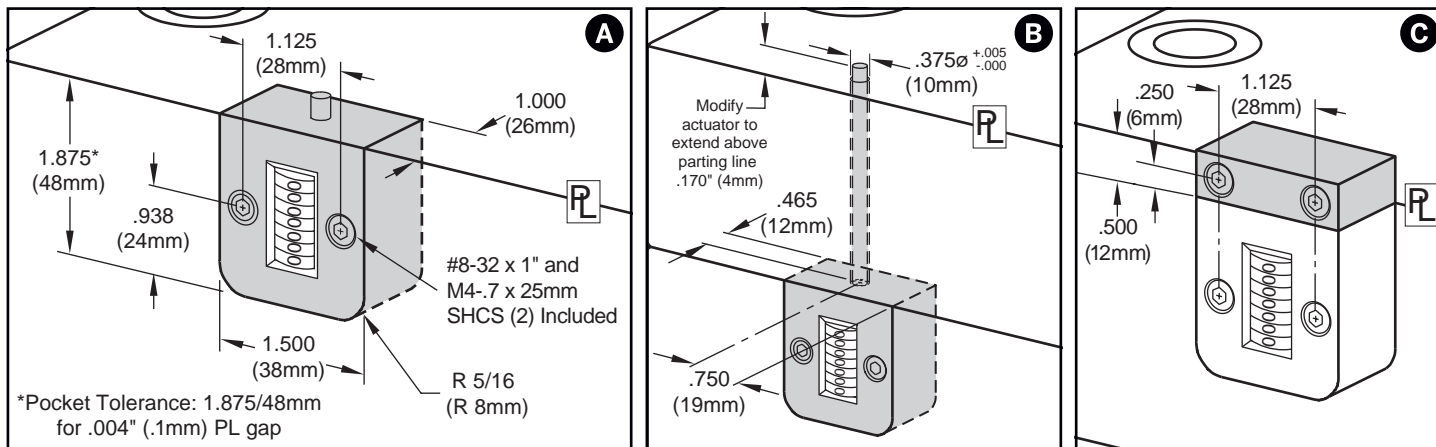
COUNTERVIEW® S-SERIES



Progressive's CounterView positively monitors mold activity, validates process monitoring data, and assists mold maintenance procedures.

- Maximum operating temperatures:
 - 250° F (120° C) Standard CounterView
 - 375° F (190° C) High Temp CounterView
- Counter: Non-resettable mechanical, 7-digit
- Available for installation on the movable or stationary halves and with extensions.
- For heat protection, refer to the Insulators available on pages F-10 and F-11.

M Glass-filled Nylon housing



MOUNTING OPTIONS

Parting Line Mount	A	Parting line mount makes unit easily visible to operator.
Internal Extension Mount	B	Machinable 8" (200mm) included extension rod allows installation in support plate or rail. Available with Standard CounterViews only.
External Mount	C	No pocket machining necessary. Designed specifically for retrofit applications. Order the Parting Line Mount and the CVE-EXT Block as shown below.

Operator Side: Movable Half / B Side



CATALOG NUMBER	VERSION & MOUNTING STYLE
CVPL-B	Standard: Parting Line
CVIN-B	Standard: Internal Extension
CVPLHT-B	High Temp: Parting Line

Screws included.

Operator Side: Stationary Half / A Side



CATALOG NUMBER	VERSION & MOUNTING STYLE
CVPL-A	Standard: Parting Line
CVIN-A	Standard: Internal Extension
CVPLHT-A	High Temp: Parting Line

Screws included.

Note: CounterViews can be ordered pre-set to a specific cycle count. Contact Customer Service for more information.

ACCESSORIES



CATALOG NUMBER	DESCRIPTION
CVE-EXT	External Mounting Block including #8-32 x 1" (2) and M4 x 25mm screws (2)
CVID	ID Plate for CounterView



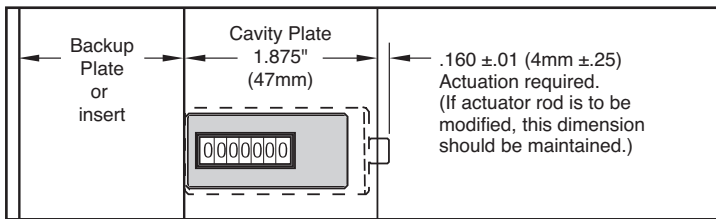
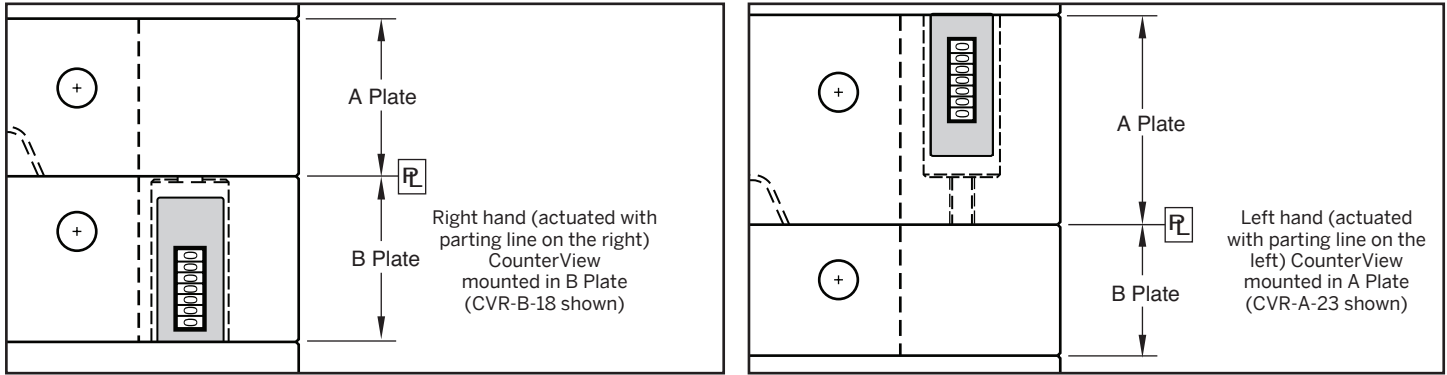
COUNTERVIEW® R-SERIES

Progressive's CounterView positively monitors mold activity, validates process monitoring data, and assists mold maintenance procedure

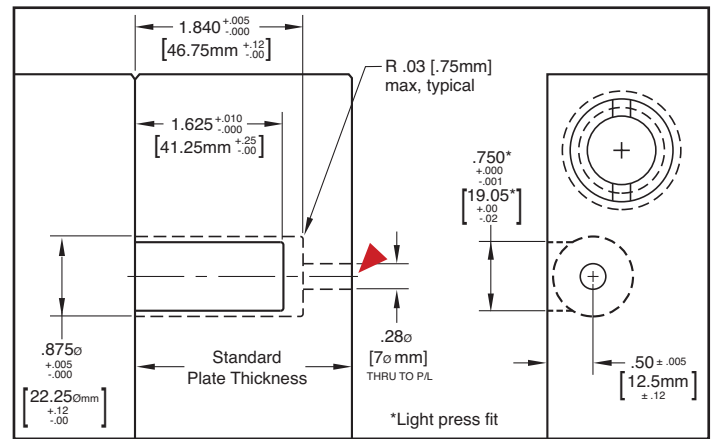
- Maximum operating temperature is 250 °F (120 °C). For heat protection, refer to the Insulators available on pages F-10 and F-11.
- Counter: Non-resettable mechanical, 7-digit



M Glass-filled Nylon housing



The R-Series CounterView can be installed in the A or B plates with a minimum thickness of 1.875" (47mm). Larger plates utilize a threaded rod (included with each) that is pre-machined to the appropriate length for standard plate thicknesses to provide consistent actuation.



▶ CAD insertion point

Operator Side: Movable Half / B Side



Inch Standard		Metric Standard	
CATALOG NUMBER	Nominal Plate Thickness	CATALOG NUMBER	Nominal Plate Thickness
CVR-B-18	1.875	CVR-B-56	56
CVR-B-23	2.375	CVR-B-66	66
CVR-B-28	2.875	CVR-B-76	76
CVR-B-33	3.375	CVR-B-96	96
CVR-B-38	3.875	CVR-B-116	116
CVR-B-43	4.375	CVR-B-196	196
CVR-B-83	8.375		

Operator Side: Stationary Half / A Side

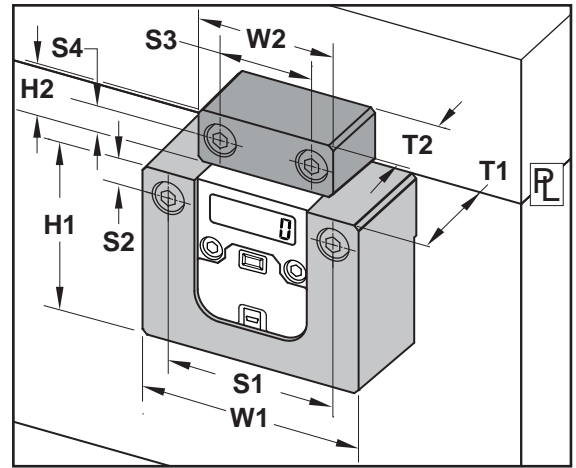


Inch Standard		Metric Standard	
CATALOG NUMBER	Nominal Plate Thickness	CATALOG NUMBER	Nominal Plate Thickness
CVR-A-18	1.875	CVR-A-56	56
CVR-A-23	2.375	CVR-A-66	66
CVR-A-28	2.875	CVR-A-76	76
CVR-A-33	3.375	CVR-A-96	96
CVR-A-38	3.875	CVR-A-116	116
CVR-A-43	4.375	CVR-A-196	196
CVR-A-83	8.375		

Each R-Series CounterView includes the actuator. All except CVR-B-18 and CVR-A-18 require attachment of the actuator rod to the threaded CounterView unit.

INSULATOR BLOCKS

EXTERNAL MOUNT



Application Guidelines:

- Maximum temperature: 180°C/360°F.
- Installation can be on the cavity or core half of the tool. For use with CVe Live, mount to the stationary half for optimum cable routing.
- The Inch or Metric Insulator Block accepts the screws from the square CounterView sold on page F-8 or the CVe Monitor sold on page F-1.

M Durethan

CATALOG NUMBER	DESCRIPTION	HI	WI	TI	SI	S2	H2	W2	T2	S3	S4
CV-BLK	Inch version with screws: (2) 1/4-20 x 1-1/8 (Actuator) (2) 1/4-20 x 1-1/2 (Block)	2.37	3.00	1.37	2.250	.500	.75	2.00	1.00	1.000	.375
CVMM-BLK	Metric version with screws: (2) M6-1.0 x 30 (Actuator) (2) M6-1.0 x 40 (Block)	58.5	78	35	58	13	20	47	25	23	10

INSULATOR BLOCK

R-SERIES COUNTERVIEW ATTACHMENT BLOCK



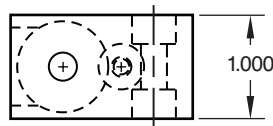
M A36 **S** Black Oxide

CATALOG NUMBER	DESCRIPTION
CVRA-100	CounterView Attachment Block Set

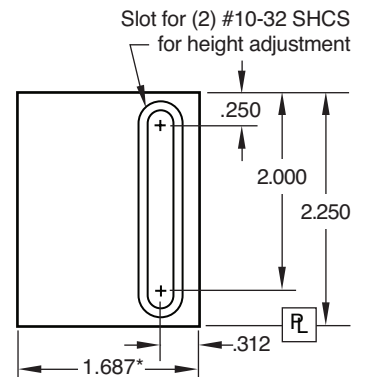
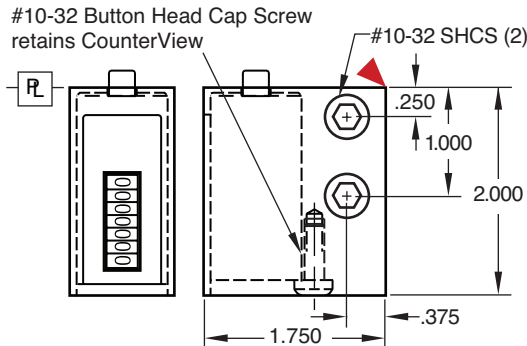
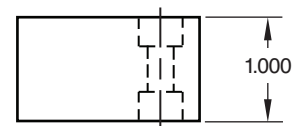
▶ CAD insertion point

The CV Attachment Block set includes both blocks and mounting screws. R-Series CounterViews are sold separately on page F-9.

CounterView Block



Actuation Block



Note: The width of the Actuation Block is smaller by 1/16" to allow for clearance if the CounterView Block is recessed into the mold.

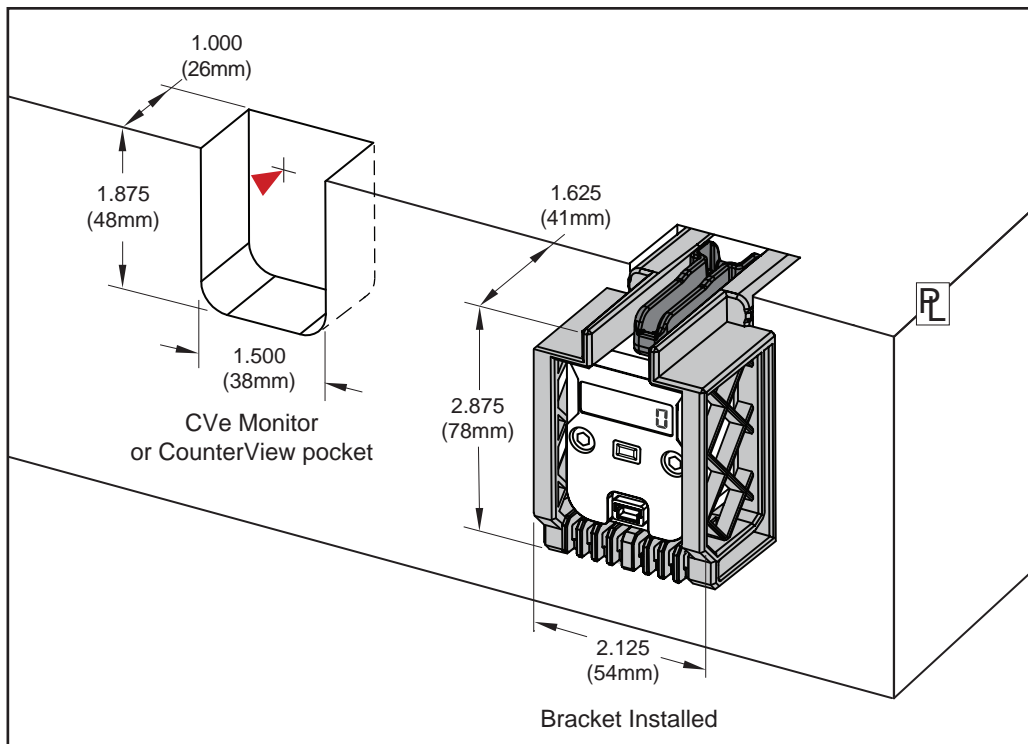


INSULATOR BLOCKS

RETROFIT BRACKET

Progressive's Insulator Bracket insulates the CVe Monitor or CounterView in high heat applications, installing within existing pockets without any modification to the mold's cavity half or core half.

- Maximum temperature: 210°C/410°F



▶ CAD insertion point

CATALOG NUMBER	DESCRIPTION
CV-BRACKET	Inch version with screws: (2) #8-32 x 1.5
CVMM-BRACKET	Metric version with screws: (2) M4-.7 x 35mm

Application Guidelines:

- The Inch or Metric Insulator Block assembly sits in the pocket as shown above, and utilizes the screws from the square CounterView sold on page F-8 or the CVe Monitor sold on page F-1.
- The Bracket can be installed on the cavity or core half of the tool. For use with CVe Live, mount to the stationary half for optimal cable routing.
- The CVe Monitor or CounterView are actuated via a Striker which is attached to the Insulator Bracket as a single unit. No preload adjustment is required.