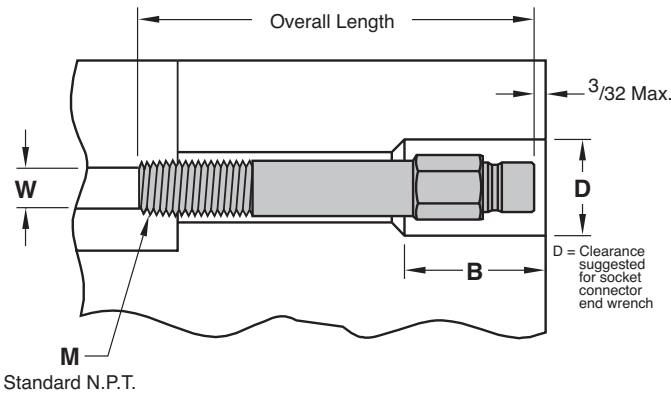
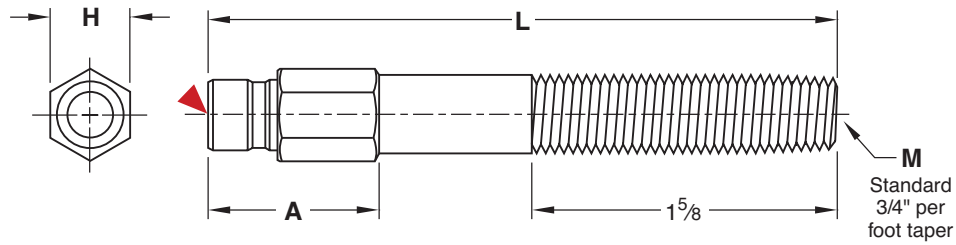




EXTENSION PLUGS



M Brass ▶ CAD insertion point

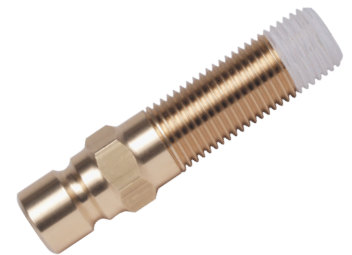
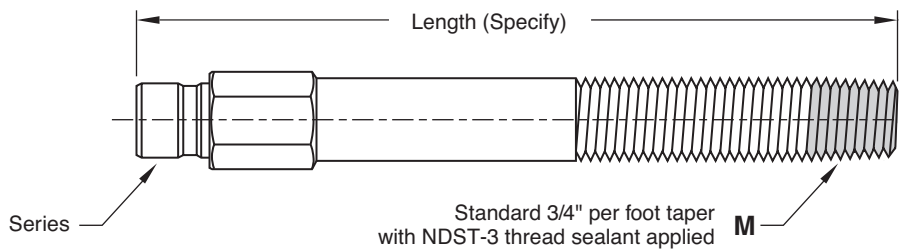
Extension Series	M Pipe Thread	D	B	W (Ref)
250	1/16	.75	1.00	1/4
251	1/8	.87	1.25	5/16
252	1/4	1.00	1.50	7/16
253	3/8	1.12	1.50	9/16
350	1/16	1.00	1.25	1/4
351	1/8	1.00	1.25	5/16
352	1/4	1.00	1.50	7/16
353	3/8	1.12	1.50	9/16
354	1/2	1.50	1.75	11/16
553	3/8	1.37	1.62	9/16
554	1/2	1.50	1.75	11/16

Alternative configurations and materials available:

- Stainless Steel Extension Plugs are also available. Specify "-SS" at the end of the catalog number. Ex. 252L5.5-SS or 353L4-SS
- Extension Plugs can be obtained made to BSPT specs. The threads are BSPT, and all other dimensions are inch nominal per the chart on page E-22. To order, specify "-BSP" at the end of the catalog number. Ex. 252L5.5-BSP
- ND ST-3 Thread Sealant can be applied to any Extension Plug. To order, specify "-ST" at the end of the catalog number. Ex. 252L5.5-ST
- Note: Standard Series Extension Plugs are shown on page E-22. Keyed Connect Extension Plugs are shown on page E-23.



CUT-TO-LENGTH EXTENSION PLUGS



Extension Plugs can be ordered cut to length, in any quantity. All Extension Plugs cut to length have sealant applied to the tapered end for convenience.

To order, specify series and NPT prefix with required length. Ex. 352L6.53