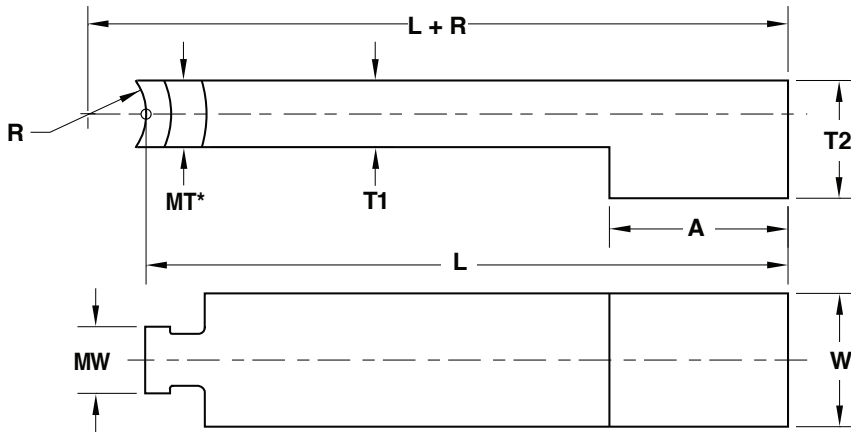




UNILIFTER CORE BLADES: L-SHAPED



Series	R	MT*	MW
MiniLifter	.250	.31	.24
UniLifter	.406	.49	.49
XL Series	.875	1.00	1.00
Metric	10mm	15mm	10mm
Metric Mini	12mm	6mm or T	6mm

STANDARD TOLERANCES		
T1	+0.000	+0.0
	-0.001	-0.025
T2	+0.020	+0.5
	-0.000	-0.0
W	+0.000	+0.0
	-0.001	-0.025
A	+0.020	+0.5
	-0.000	-0.0
L	+0.020	+0.5
	-0.000	-0.0
	INCH	METRIC

*Note: MT may increase for strength.
 Note: Altering the MT & MW dimensions (Minimum Thickness and Width of heel area) is not recommended.

Series:

- MiniLifter**
U-Coupling = UCM50
- Metric MiniLifter**
U-Coupling = UCMM16
- Metric**
U-Coupling = UCMM22
- UniLifter**
U-Coupling = UCU87
- XL Series**
U-Coupling = UCX175

Material:

- H-13**
Hardness = 38-42 HRC
- H-13**
Hardness = 48-50 HRC
- Aluminum Bronze**
Hardness = 30 HRC
- S-7**
Hardness = 54-56 HRC
- DC53**
Hardness = 58-60 HRC

CORE BLADE #1			
Dimension		Tolerance	
T1	<input type="checkbox"/> Standard	+	
		-	
T2	<input type="checkbox"/> Standard	+	
		-	
W	<input type="checkbox"/> Standard	+	
		-	
A	<input type="checkbox"/> Standard	+	
		-	
L	<input type="checkbox"/> Standard	+	
		-	
Quantity:			

CORE BLADE #2			
Dimension		Tolerance	
T1	<input type="checkbox"/> Standard	+	
		-	
T2	<input type="checkbox"/> Standard	+	
		-	
W	<input type="checkbox"/> Standard	+	
		-	
A	<input type="checkbox"/> Standard	+	
		-	
L	<input type="checkbox"/> Standard	+	
		-	
Quantity:			

E-MAIL TECH@PROCOMPS.COM

CONTACT:	COMPANY NAME:	PHONE #:
REFERENCE #:	ACCOUNT #:	E-MAIL ADDRESS: