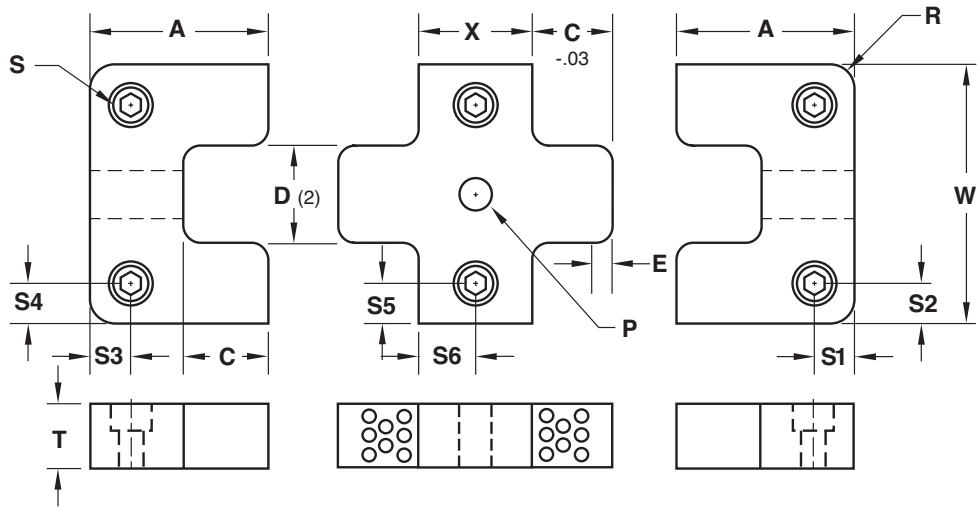


X-STYLE SIDE LOCKS

Z-SERIES™

STANDARD TOLERANCES		
A	+0.000 -0.002	+0.00 -0.05
X	+0.000 -0.002	+0.00 -0.05
C	±0.01	±0.2
T	+0.000 -0.002	+0.00 -0.05
W	+0.0000 -0.0004	+0.00 -0.01
S1-6	±0.01	±0.2
P	+0.001 -0.000	+0.03 -0.00
	INCH	METRIC



Male Insert

Material = H-13
 Core = 42-48 HRC
 Surface = 70 HRC
 Treatment = Salt Bath Nitride

Female Insert

Material = D-2
 Core = 58-62 HRC
 Surface = 80 HRC
 Treatment = Titanium Nitride Coated

X-STYLE LOCK				D	<input type="checkbox"/> Standard .0001-.0003 (.002-.008mm) Clearance per side	S1
Dimension	Tolerance					
A	<input type="checkbox"/> Standard	+ -	R	<input type="checkbox"/> To Suit	Pocket Radius (Lock machined to suit)	S2
X	<input type="checkbox"/> Standard	+ -	E	<input type="checkbox"/> To Suit	Engagement Radius	S3
C	<input type="checkbox"/> Standard	+ -	S		SHCS SIZE	S4
T	<input type="checkbox"/> Standard	+ -	P		Dowel Diameter	S5
W	<input type="checkbox"/> Standard	+ -				S6
Quantity (Sets of 1M/2F):				Special Configs:	Qty Male:	Qty Female:

E-MAIL TECH@PROCOMPS.COM		
CONTACT:	COMPANY NAME:	PHONE #:
REFERENCE #:	ACCOUNT #:	E-MAIL ADDRESS: