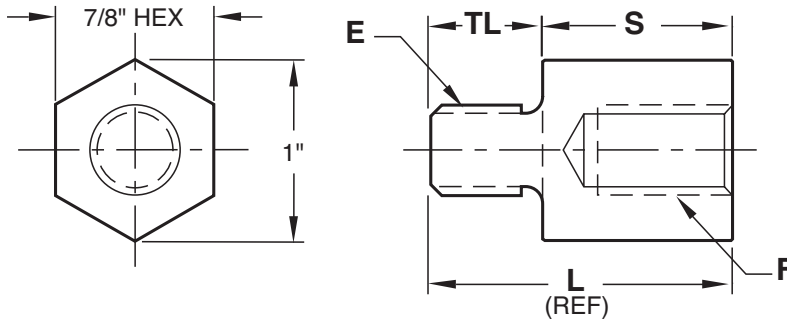


PRESS KNOCK OUT: HEX SERIES



Material:

AISI 4140 PH
Treatment = Black Oxide

Other:

Material	Core Hardness	Surface Hardness	Treatment

STANDARD TOLERANCES		
TL	±0.015	+0.25
S	+0.000	+0.00
	-0.002	-0.05
	INCH	METRIC

Note: Hex sizes other than 7/8" are also available.

PKO #1			
Dimension		Tolerance	
TL		<input type="checkbox"/> Standard	+
			-
S		<input type="checkbox"/> Standard	+
			-
L		REF	
E		Ext. Thread	
F		Int. Thread	
Quantity:			

PKO #2			
Dimension		Tolerance	
TL		<input type="checkbox"/> Standard	+
			-
S		<input type="checkbox"/> Standard	+
			-
L		REF	
E		Ext. Thread	
F		Int. Thread	
Quantity:			

E-MAIL TECH@PROCOMPS.COM

CONTACT:	COMPANY NAME:	PHONE #:
REFERENCE #:	ACCOUNT #:	E-MAIL ADDRESS: