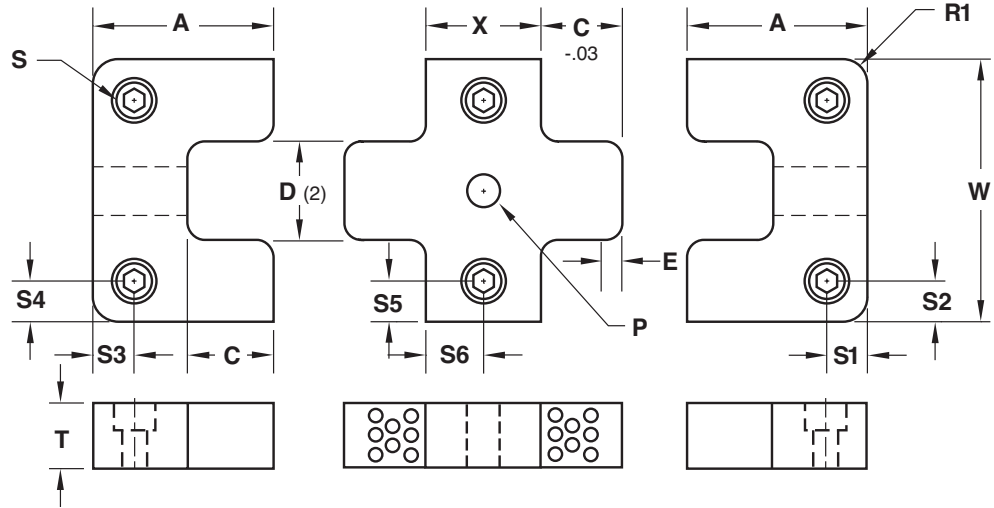




X-STYLE SIDE LOCKS

Z-SERIES™

STANDARD TOLERANCES		
A	+0.000 -0.002	+0.00 -0.05
X	+0.000 -0.002	+0.00 -0.05
C	±0.01	±0.2
T	+0.000 -0.002	+0.00 -0.05
W	+0.0000 -0.0004	+0.00 -0.01
S1-6	±0.01	±0.2
P	+0.001 -0.000	+0.03 -0.00
	INCH	METRIC



Male Insert

Material = H-13
 Core = 42-48 HRC
 Surface = 70 HRC
 Treatment = Salt Bath Nitride

Female Insert

Material = D-2
 Core = 58-62 HRC
 Surface = 80 HRC
 Treatment = Titanium Nitride Coated

X-STYLE LOCK			W	<input type="checkbox"/> Standard <input type="checkbox"/> To Suit	+ -	S3
Dimension	Tolerance					
A	<input type="checkbox"/> Standard	+ -	R1	<input type="checkbox"/> To Suit	Pocket Radius (Lock machined to suit)	S4
X	<input type="checkbox"/> Standard	+ -	E	<input type="checkbox"/> To Suit	Engagement Radius	S5
C	<input type="checkbox"/> Standard	+ -	S		SHCS SIZE	S6
D	<input type="checkbox"/> Standard	.0001 - .0002 (.002 - .005 mm) Clearance per side	S1			P
T	<input type="checkbox"/> Standard	+ -	S2			Quantity:

E-MAIL TECH@PROCOMPS.COM

CONTACT:	COMPANY NAME:	PHONE #:
REFERENCE #:	ACCOUNT #:	E-MAIL ADDRESS: